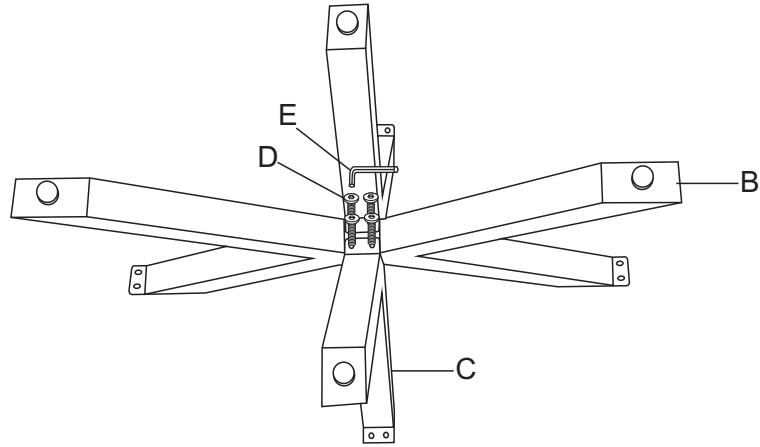
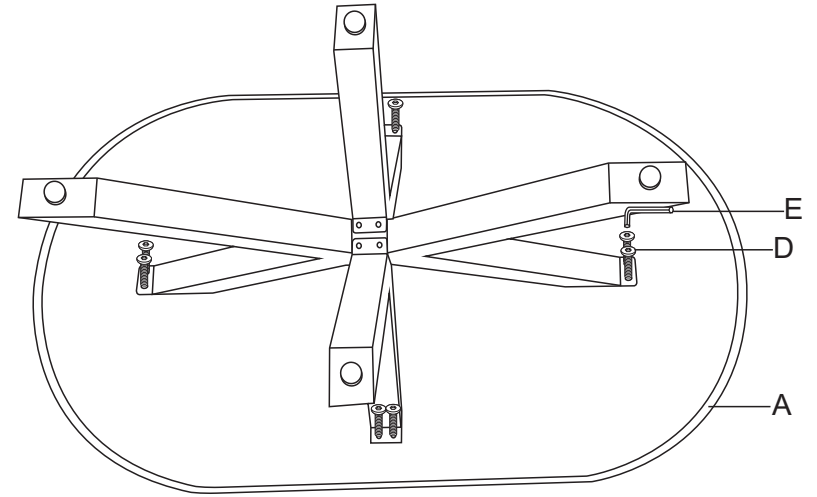


ASSEMBLY INSTRUCTION

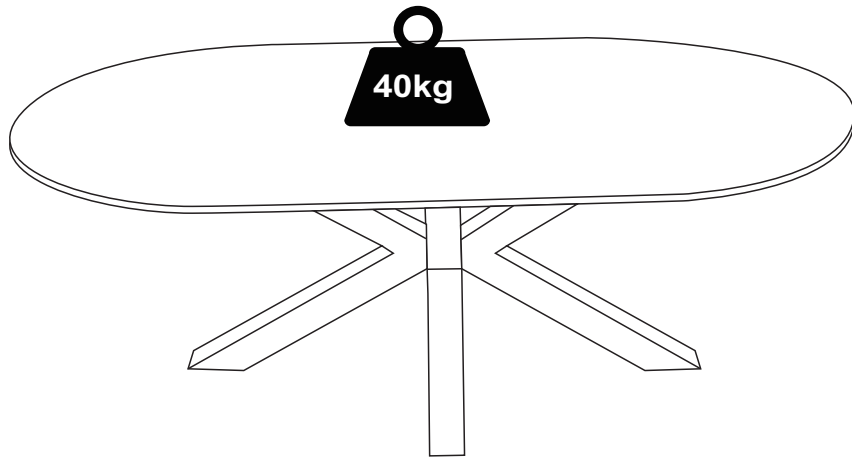
1



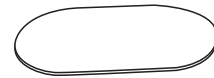
2



3



Ax1



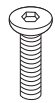
Bx1



Cx2



Dx12



Ex1

